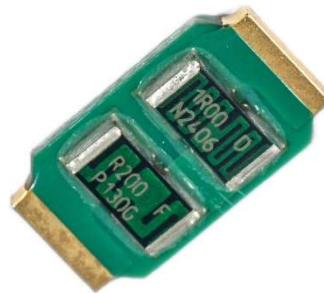


Adaptor Board AB126/127 Assembly

(Released July 26th, 2024)



Adaptor Board AB126 Assembly



Adaptor Board AB127 Assembly

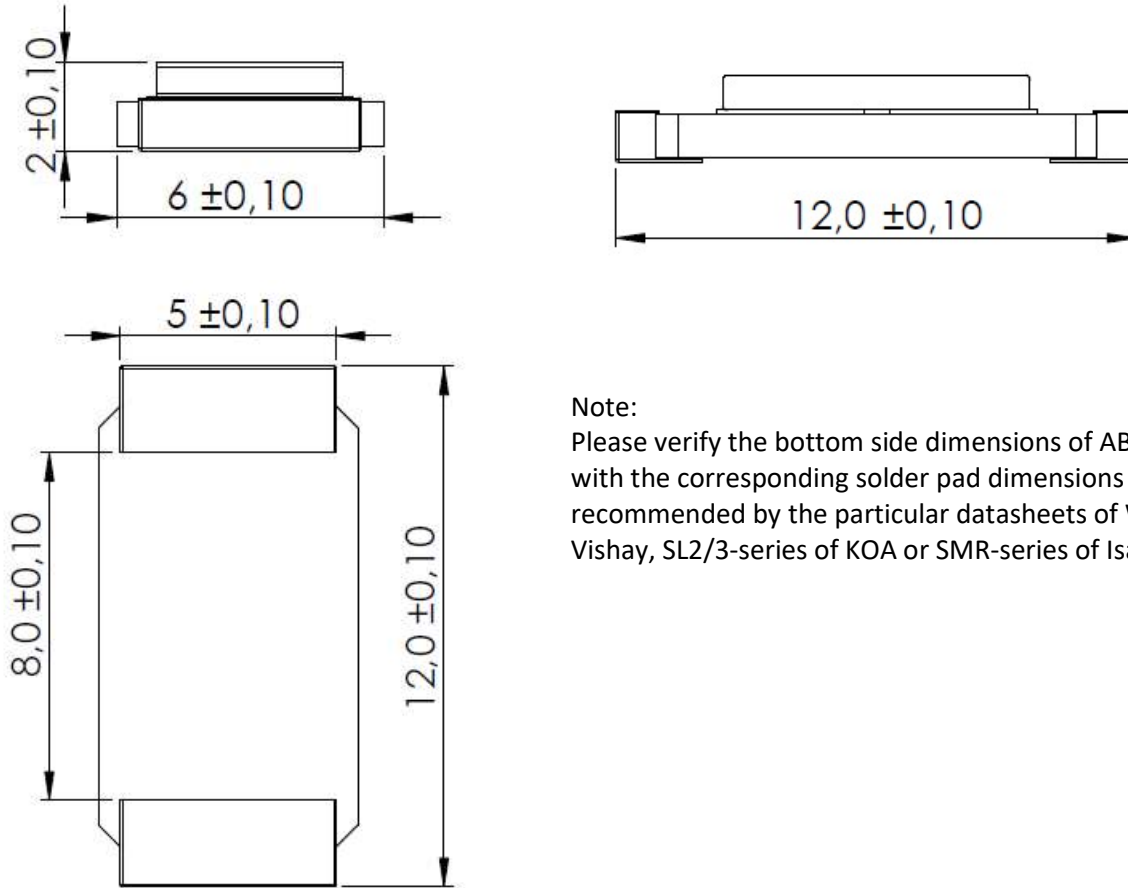
Adaptor Board AB126/127 Assembly - Features

- ✓ Assembly consisting of Adaptor Board AB126/127 and suitable standard SMD resistor components for a pin-compatible replacement of WSR2/3/5-series of Vishay (case size 4527), SL2/3-series of KOA (case size 4527) or SMR-series of Isabellenhuette (case size 4723)
- ✓ Mounting: Reflow-, IR- and vapour phase soldering
- ✓ Packaging: tape/reel accordingly to EN 60286-3
- ✓ RoHS 2011/65/EU compliant
- ✓ Excellent long-term stability ($dR/R < \pm 0.5\%$ in 2000hrs at rated power and temperature)
- ✓ On request: lot inspection per MIL-PRF-55342 (scope to be determined as required)

DTPM

DESIGN | PROTOTYPING | PROJECT MANAGEMENT

Adaptor Board AB126 Assembly - Dimensions

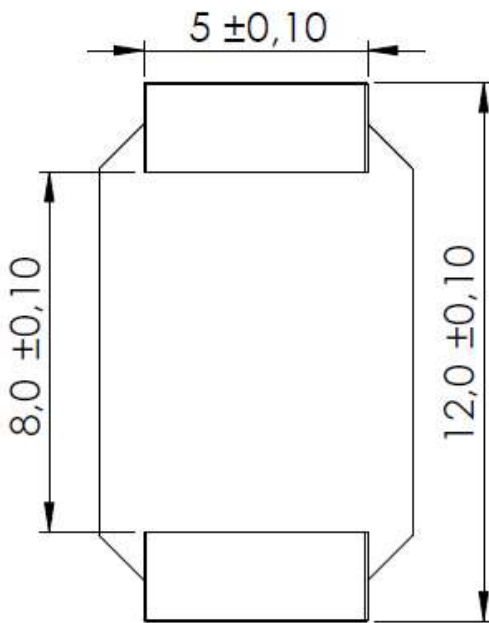
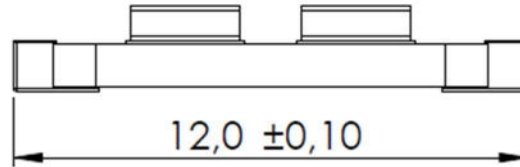
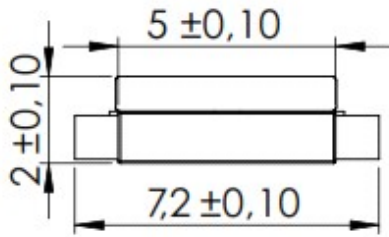


Note:
Please verify the bottom side dimensions of AB126-Assembly with the corresponding solder pad dimensions as recommended by the particular datasheets of WSR-series of Vishay, SL2/3-series of KOA or SMR-series of Isabellenhuette.

DTPM

DESIGN | PROTOTYPING | PROJECT MANAGEMENT

Adaptor Board AB127 Assembly - Dimensions



Note:

Please verify the bottom side dimensions of AB127-Assembly with the corresponding solder pad dimensions as recommended by the particular datasheets of WSR-series of Vishay, SL2/3-series of KOA or SMR-series of Isabellenhuette.

Adaptor Board AB126/127 Assembly – Technical Specifications

Assembly	Power Rating P(70) [W]	Resistance value range [Ω]*	Resistance value tolerance*
AB126-2817R	5	0.0068 – 3.9	0.5%, 1%
AB127-2010DSR	5	0.051 – 1.5	0.5%, 1%
AB127-2010DPR	5	0.0068 – 0.240	0.5%, 1%

Note: individual resistance values can be obtained from list of available resistance values on pages 4 & 5.

DTPM

DESIGN | PROTOTYPING | PROJECT MANAGEMENT

Adaptor Board AB126 Assembly – Ordering code

Example: AB126-2817R050D

Type of assembly	Resistance value [Ω]	Tolerance
AB126-2817	R050	D (0.5%)

Adaptor Board AB127 Assembly – Ordering code

Example: AB127-2010DPR062F

Type of assembly	Resistance value [Ω]	Tolerance
AB127-2010DP	R062	F (1%)

Adaptor Board AB 126/127 Assembly – Available resistance values

E12 series [Ω]	E24 series [Ω]	AB126	AB127-DS	AB127-DP
0.0068	0.0068	•		•
	0.0075			•
0.0082	0.0082			•
	0.0091	•		•
0.010	0.010	•		•
	0.011			•
0.012	0.012			•
	0.013			•
0.015	0.015	•		•
	0.016			•
0.018	0.018	•		•
	0.020	•		
0.022	0.022	•		•
	0.024			•
0.027	0.027	•		•
	0.030			•
0.033	0.033	•		
	0.036			•
0.039	0.039	•		
	0.043			•
0.047	0.047	•		
	(0.050)	•		
	0.051		•	
0.056	0.056	•		
	0.062			•
0.068	0.068	•		

DTPM

DESIGN | PROTOTYPING | PROJECT MANAGEMENT

Adaptor Board AB 126/127 Assembly – Available resistance values

E12 series [Ω]	E24 series [Ω]	AB126	AB127-DS	AB127-DP
	0.075			•
0.082	0.082	•		
	0.091		•	
0.100	0.100	•		
	0.110		•	
0.120	0.120	•		
	0.130		•	
0.150	0.150	•		
	0.160			•
0.180	0.180	•		
	0.200	•		
0.220	0.220	•		
	0.240			•
0.270	0.270	•		
	0.300		•	
0.330	0.330	•		
	0.360		•	
0.390	0.390	•		
	0.430		•	
0.470	0.470	•		
	0.510		•	
0.560	0.560	•		
	0.620		•	
0.680	0.680	•		
	0.750			
0.820	0.820	•		
	0.910			
1.000	1.000	•		
	1.100		•	
1.200	1.200	•	•	
	1.300			
1.500	1.500	•	•	
	1.600			
1.800	1.800	•		
	2.000	•		
2.200	2.200	•		
	2.400			
2.700	2.700	•		
	3.000	•		
3.300	3.300	•		
	3.600	•		
3.900	3.900	•		

DTPM

DESIGN | PROTOTYPING | PROJECT MANAGEMENT

Adaptor Board AB 126/127 Assembly – General application note



Please take into consideration that the terminal temperature of the Adaptor Board AB126/127 Assembly must not exceed 100°C in continuous operation.

Source of supply

DTPM Daniel Theis Projektmanagement
Bergstr. 19
35236 Breidenbach
Germany

Tel.: +49 (0) 151 / 42099 609
E-Mail: info@dt-pm.org

Disclaimer

All products, product specifications and data are subject to change without notice to improve reliability, function or design or otherwise.

This product specification does not expand or otherwise modify the named supplier's terms and conditions of sale, including but not limited to, the warranty expressed therein.

Information provided in datasheets and/or specifications may vary from actual results in different applications. Any statements made by the named supplier regarding the suitability of products for certain types of applications are based on its knowledge of typical requirements that are often placed on such kinds of products. It is the customer's responsibility to validate that a particular product with the properties described in the product specification is suitable for the use in the particular application and process ability.

No license, expressed or implied, or otherwise, to any intellectual property rights is granted by this document.

Any and all liability arising out of the application or use of any product shall be as set forth in the named supplier's terms and conditions of sale.